

INVERTER

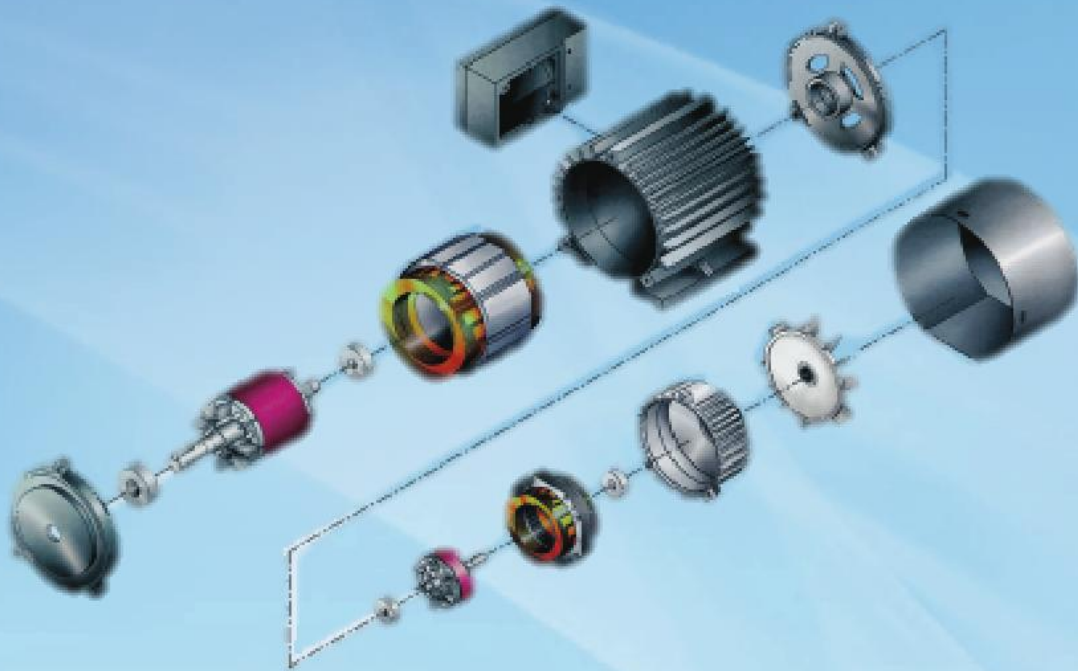
DUTY MOTOR

0.5~10hp



ADLEEPPOWER
SINCE 1974. ISO 9001





Inverter Duty Motor

Inverter Duty Motors are designed for optimized performance to run with variable frequency drive. It has independent cooling fan to cool down motor. It can operate for wide speed range without any heating problem.

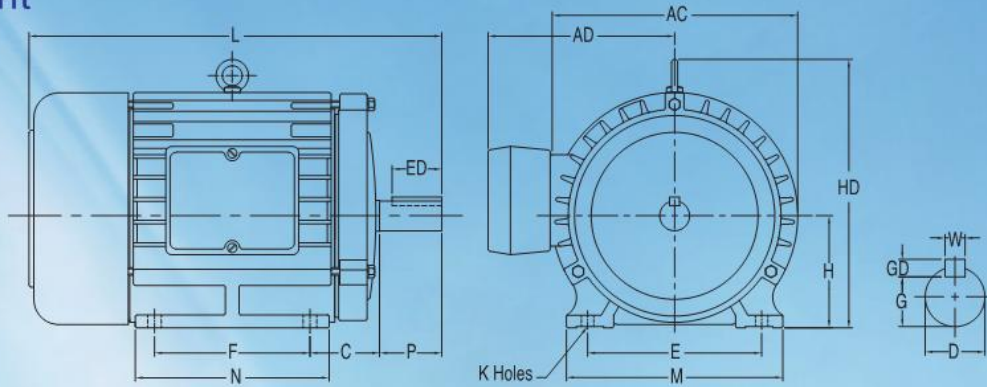
- High starting torque, low vibration and low noise.
- IEC standard.
- Independent cooling fan.
- Suitable for all variable frequency drive. (Inverter)

Specification

MODEL	AEEFV or AEFV												
Output Power (HP)	0.5	1		2		3		5		7.5		10	
Pole	6	4	6	4	6	4	6	4	6	4	6	4	6
Torque (Kg-cm)	0.386	0.510	0.760	1.02	1.540	1.530	2.310	2.560	3.980	3.825	5.720	5.100	7.640
Rated RPM	940	1425	950	1425	940	1425	940	1425	960	1425	950	1425	950
Construction	Total enclosed external cooling fan												
Source	3Ø 220 or 380 or 440V												
V/F	100% Output/50-110HZ												
Torque Character	Constant torque range						10HZ - 50HZ						
	Constant output range						50HZ - 110HZ						
Starting Torque	125%												
Insulation	F												
Duty	Continue												
Environmental Condition	-20 to 40 degree ; humidity 100% ; inside of house ; without burst proof ; not more than 1000M												
Max. Speed	3000RPM (4P) / 2000RPM (6P)												
Base speed	50HZ												
AEEFV: Base mount AEFV: Flange mount													

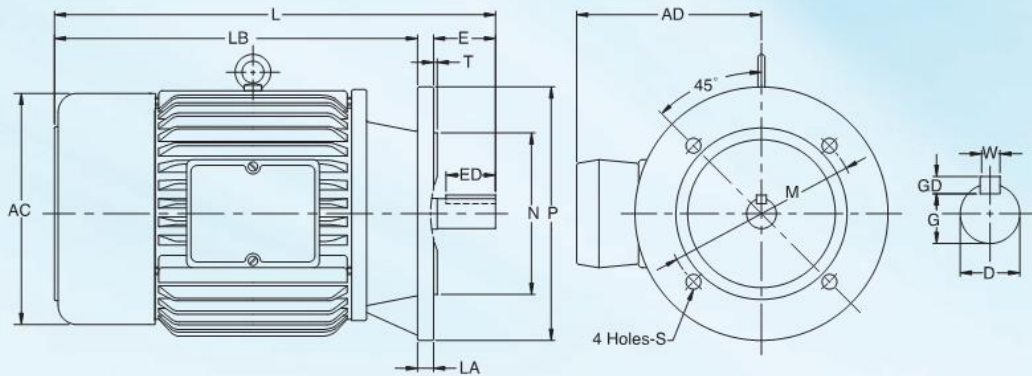
Motor Dimension

■ Base mount



Frame No.	Output power (HP)		H	AD	E	F	K	C	P	HD	AC	L	M	N	Shaft					Bearing	
	4P	6P													ED	D	GD	G	W		
80	1	1/2	80	140	125	100	10	50	40	-	177	328	156	130	35	19	6	15.5	6	6204ZZ	6203ZZ
90L	2	1	90	150	140	125	10	56	50	-	200	341	170	150	45	24	7	20	8	6205ZZ	6204ZZ
100L	3	2	100	162	160	140	12	63	60	243	219	401	195	175	55	28	7	24	8	6206ZZ	6205ZZ
112M	5	3	112	169	190	140	12	70	60	265	238	420	224	175	55	28	7	24	8	6306ZZ	6305ZZ
132S	7.5	5	132	184	216	140	12	89	80	310	279	497	250	185	76	38	8	33	10	6308ZZ	6306ZZ
132M	10	7.5	132	184	216	178	12	89	80	310	279	533	250	212	76	38	8	33	10	6308ZZ	6306ZZ
160M		10	160	250	254	210	14.5	108	110	377	334	670	300	250	105	42	8	37	12	6309ZZ	6307ZZ

■ Flange mount



Frame No.	Output power (HP)		ØP	ØN	AD	ØM	ØS	AC	L	LB	E	LA	T	Shaft					Bearing	
	4P	6P												ED	D	GD	G	W		
80	1	1/2	200	130	140	165	12	177	338	286	40	12	3.5	35	19	6	15.5	6	6204ZZ	6203ZZ
90L	2	1	200	130	149	165	12	200	390	328	50	12	3.5	45	24	7	20	8	6205ZZ	6204ZZ
100L	3	2	250	180	162	215	15	220	403	328	60	15	4	55	28	7	24	8	6206ZZ	6205ZZ
112M	5	3	250	180	169	215	15	238	455	380	60	15	4	55	28	7	24	8	6306ZZ	6305ZZ
132S	7.5	5	300	230	184	265	15	273	499	399	80	20	4	75	38	8	33	10	6308ZZ	6306ZZ
132M	10	7.5	300	230	184	265	15	273	534	434	80	20	4	75	38	8	33	10	6308ZZ	6306ZZ
160M		10	350	250	250	300	19	334	670	540	110	20	5	105	42	8	37	12	6309ZZ	6307ZZ

ADLEEPOWER

ADLEEPOWER

ADLEEPOWER

ADLEEPOWER

ADLEEPOWER



愛德利®
SINCE 1974
ISO 9001:2015

SHUNYANG ELECTRICAL MACHINERY MANUFACTURE CO., LTD

廣州市順揚機電有限公司

(台灣愛德利科技股份有限公司中國授權商標使用及專業製造商)

廣東：廣東省廣州市增城區新塘鎮白江村田嚇耙嶺3路8號首層

NO.8 XIAPAILING ROAD, XINTANG TOWN, ZHENCHENG BROUGH, GUANGZHOU CITY, GUANGDONG PROVINCE, CHINA.

电话 (TEL) : +86-20-32371818 传真 (FAX) : +86-20-32371828 E-MAIL : ADLII@QQ.COM

